

# CAMBRIDGE 55" CENTER SINK CABINET

# ARIEL

A055S



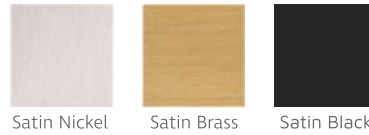
## BASE CABINET DIMENSIONS

54" W x 21.5" D x 34.5" H

## FEATURES

- Solid wood frame & plywood panels
- Dovetail drawers and joints
- Soft closing doors & drawers

## HARDWARE FINISHES



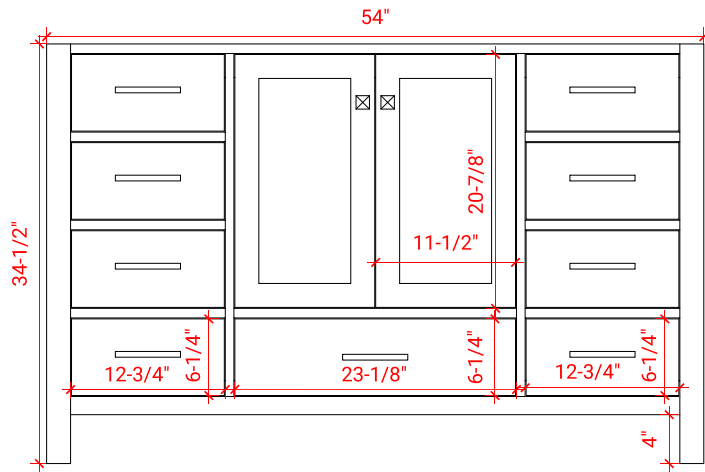
Satin Nickel Satin Brass Satin Black

## AVAILABLE COLORS

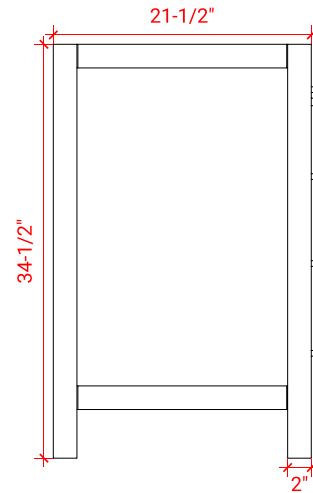


White Grey Espresso Midnight Blue

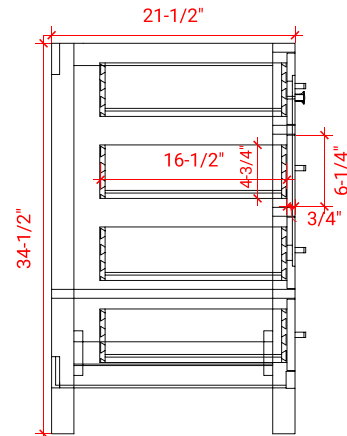
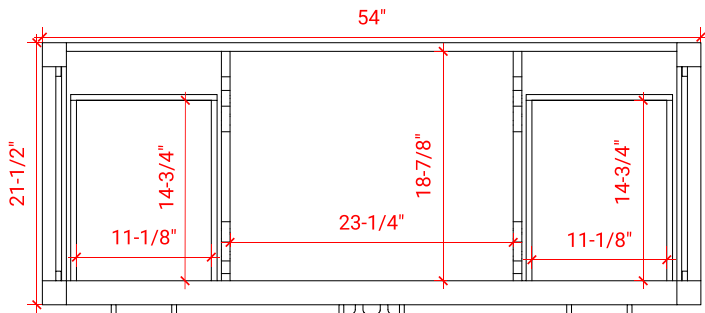
FRONT VIEW



SIDE VIEW



PLAN VIEW



# 55" OVAL SINK THIN COUNTERTOP

## OVERALL DIMENSIONS

55" W x 22" D x 0.75" H

## COUNTERTOP OPTIONS



Carrara Marble  
CW2-055S-OVL-CT

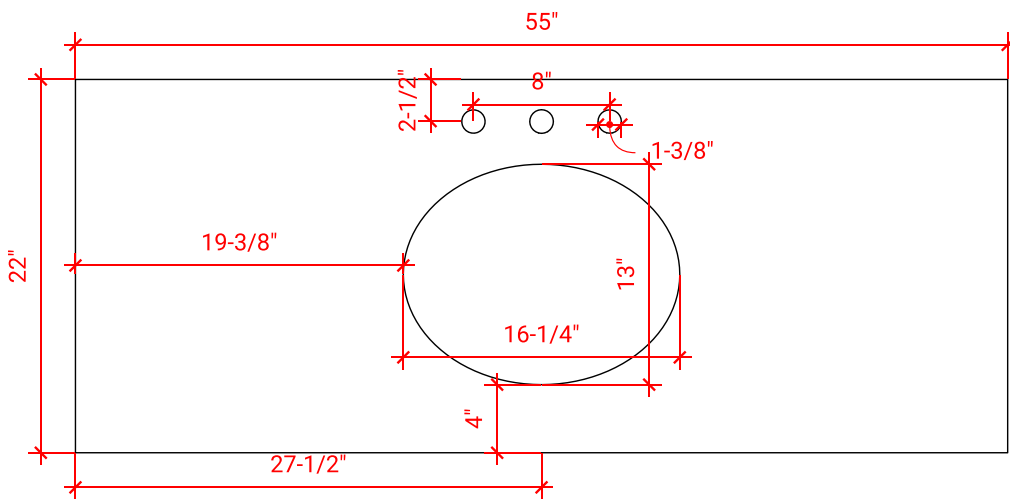
## FEATURES

- Solid countertop with mitered edges & seams
- Undermount white oval sink
- Pre-drilled for 8" widespread faucet

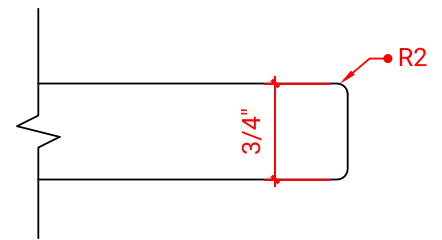
## INCLUDED

- Countertop
- Matching Backsplash
- Sink

### COUNTERTOP PLAN VIEW



### EDGE SIDE VIEW



### THREE DIMENSIONAL COUNTERTOP VIEW

