

CAMBRIDGE 49" CENTER SINK CABINET

ARIEL

A049S



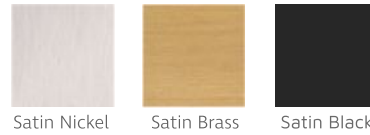
BASE CABINET DIMENSIONS

48" W x 21.5" D x 34.5" H

FEATURES

- Solid wood frame & plywood panels
- Dovetail drawers and joints
- Soft closing doors & drawers

HARDWARE FINISHES



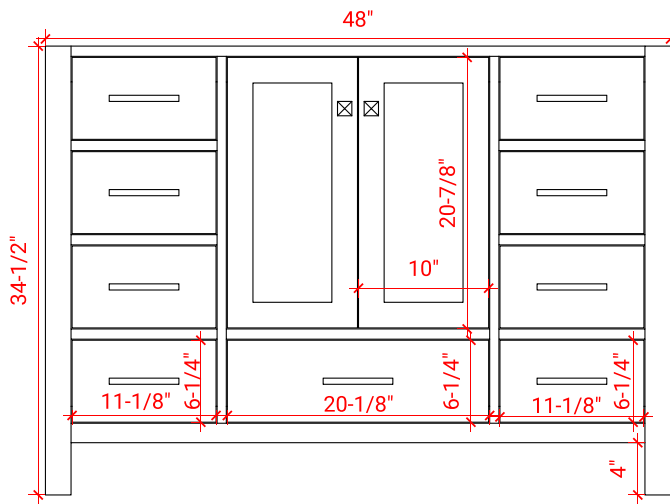
Satin Nickel Satin Brass Satin Black

AVAILABLE COLORS

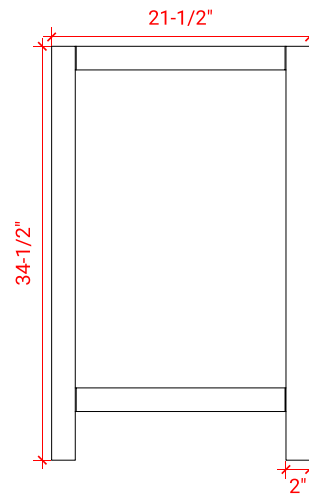


White Grey Espresso Midnight Blue

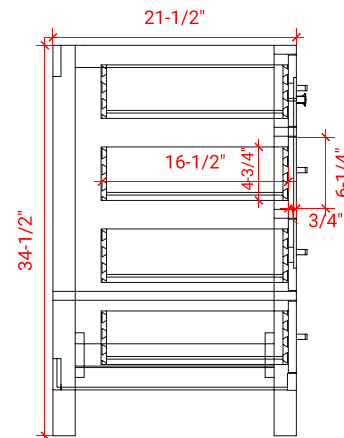
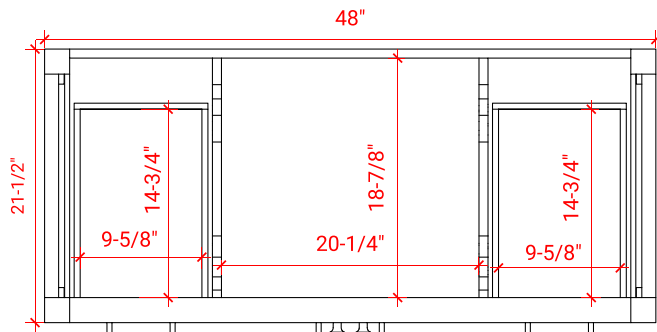
FRONT VIEW



SIDE VIEW



PLAN VIEW



49" OVAL SINK THIN COUNTERTOP

ARIEL

OVERALL DIMENSIONS

49" W x 22" D x 0.75" H

COUNTERTOP OPTIONS



Carrara Marble
CW2-049S-OVL-CT

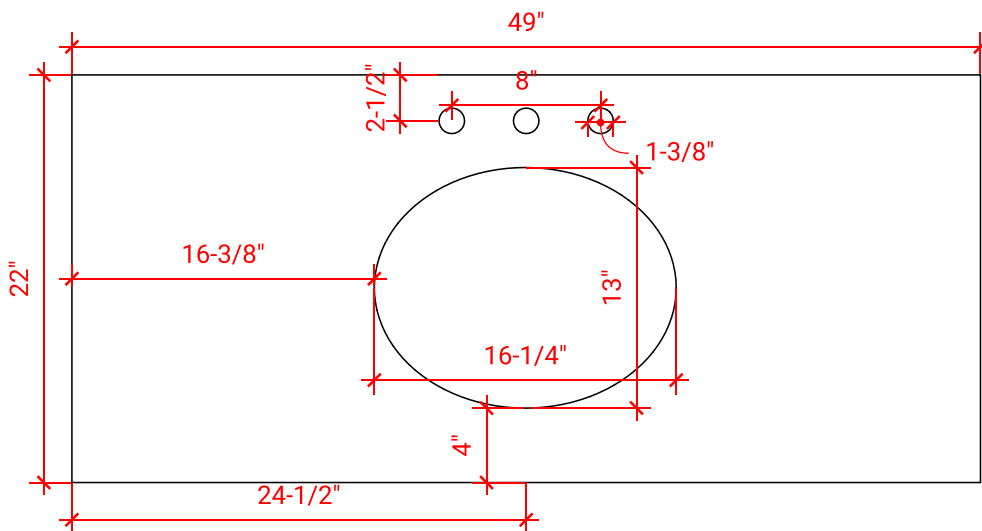
FEATURES

- Solid countertop with mitered edges & seams
- Undermount white oval sink
- Pre-drilled for 8" widespread faucet

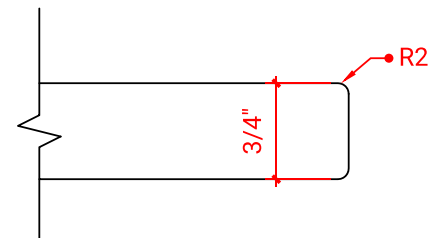
INCLUDED

- Countertop
- Matching Backsplash
- Sink

COUNTERTOP PLAN VIEW



EDGE SIDE VIEW



THREE DIMENSIONAL COUNTERTOP VIEW

