



**BASE CABINET DIMENSIONS**

42" W x 21.5" D x 33.5" H

**FEATURES**

- Solid wood frame & plywood panels
- Dovetail drawers and joints
- Soft closing doors & drawers

**HARDWARE FINISHES**



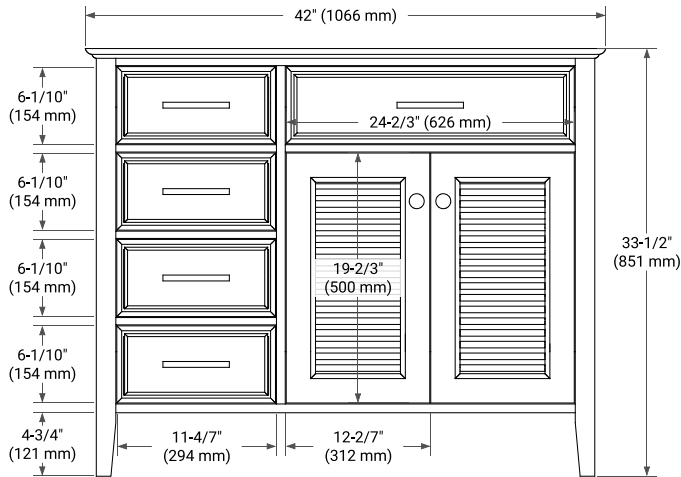
Brushed Nickel    Satin Brass    Matte Black    Polished Chrome

**AVAILABLE COLORS**

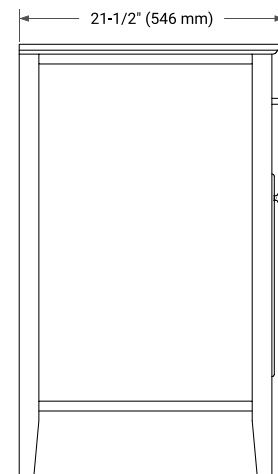


White    Grey

**FRONT VIEW**



**SIDE VIEW**



**PLAN VIEW**

