

# MONROE 54" SINGLE SINK BASE CABINET

# ARIEL



## BASE CABINET DIMENSIONS

54" W x 21.5" D x 34.5" H

## FEATURES

- Solid wood frame and Plywood
- Soft-close system
- Dovetail construction
- Ample storage

## HARDWARE FINISHES



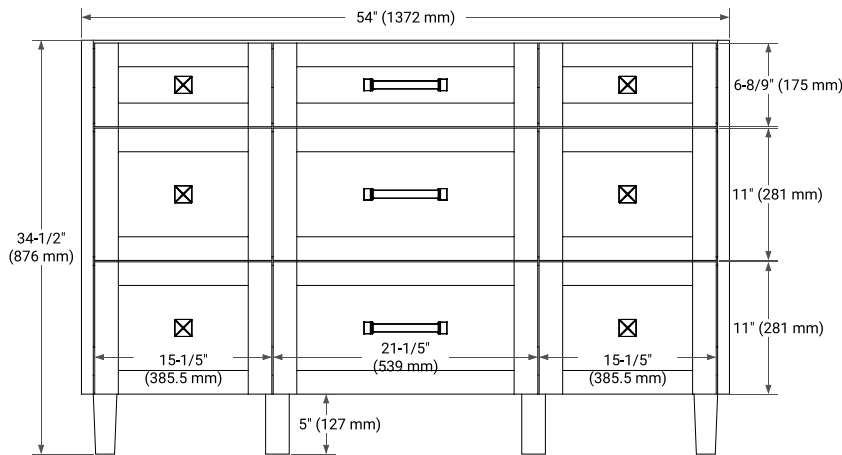
Brushed Nickel    Matte Black

## AVAILABLE COLORS

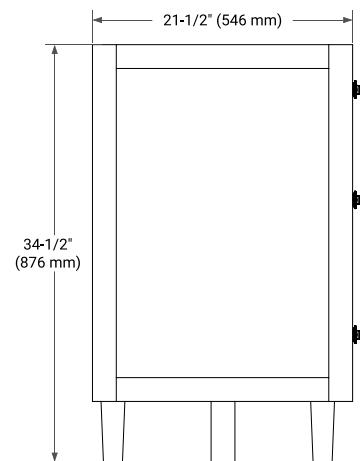


White    Grey    Midnight Blue    White Oak

FRONT VIEW



SIDE VIEW



PLAN VIEW

