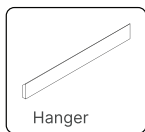


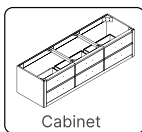
INSTALLATION GUIDE

ARIEL

PART LIST

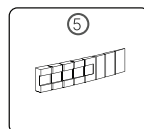
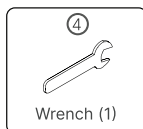
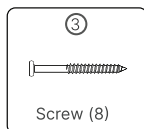
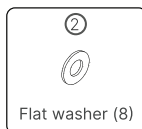
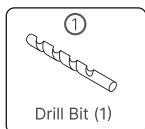


A

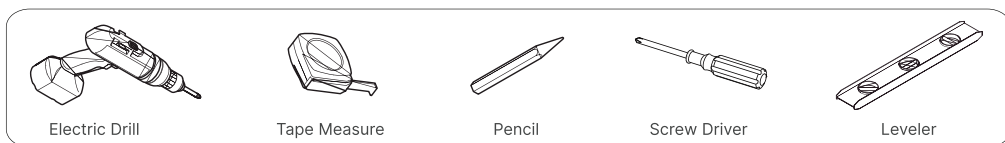


B

HARDWARE



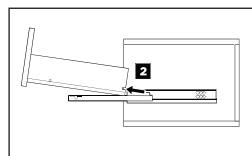
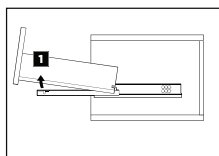
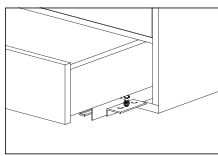
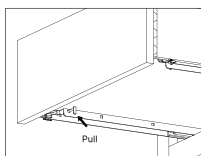
REQUIRED TOOLS NOT IN BOX



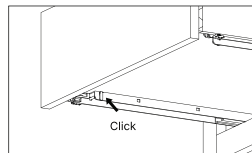
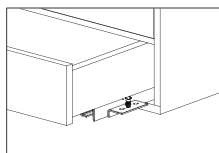
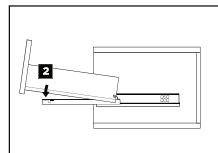
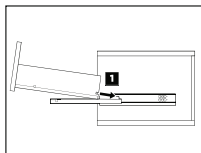
Before starting, check that your wall is plumb and flat. If not, the cabinet will need to be packed out so that it is sitting level, otherwise the cabinet will twist, causing the doors and drawers to be out of alignment and not function correctly.

DRAWER REMOVAL & INSTALLATION

REMOVAL



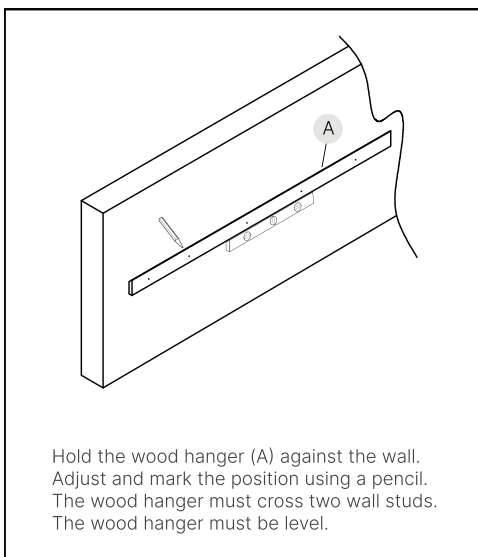
INSTALLATION



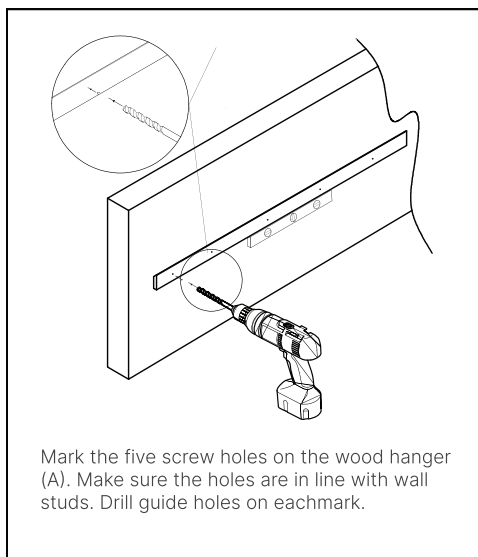
STOP, please make sure the cabinet is level before installing the countertop

CABINET ASSEMBLY

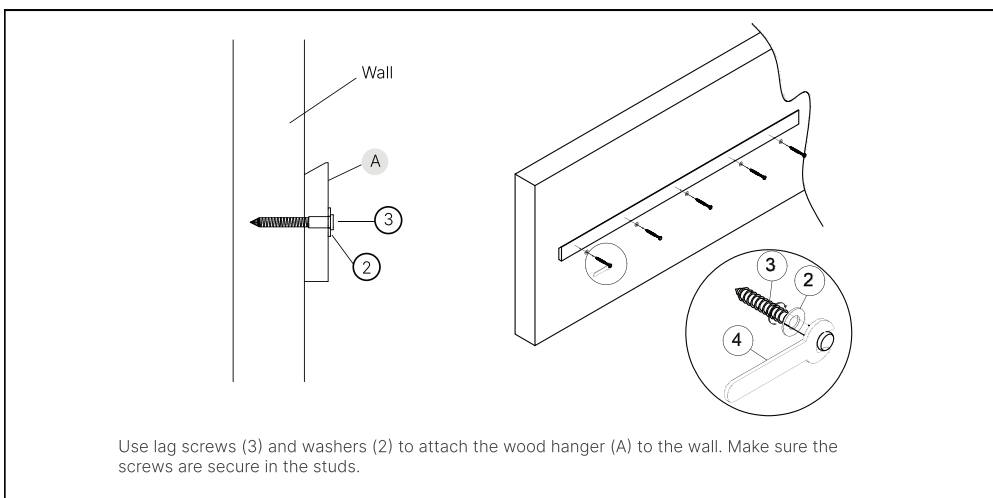
STEP 1



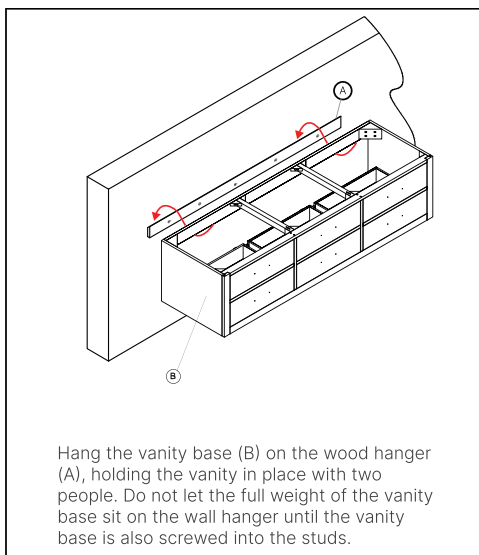
STEP 2



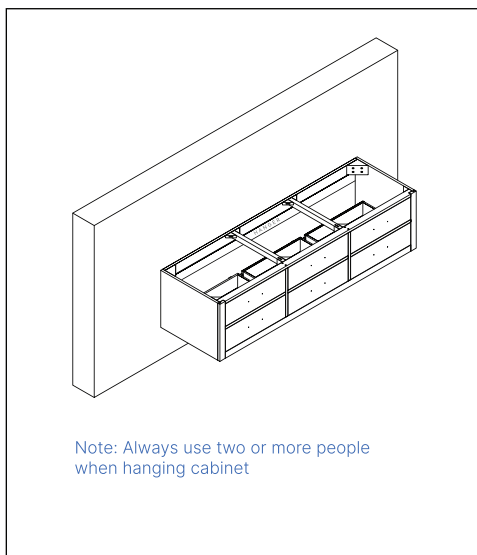
STEP 3



STEP 4



STEP 5



SPACE SAVING TRAP

