

# HUTTON 43" CENTER SINK CABINET

# ARIEL

WO43S



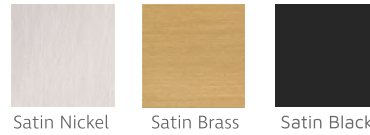
## BASE CABINET DIMENSIONS

42" W x 21.75" D x 18" H

## FEATURES

- Solid wood frame & plywood panels
- Dovetail drawers and joints
- Soft closing doors & drawers

## HARDWARE FINISHES



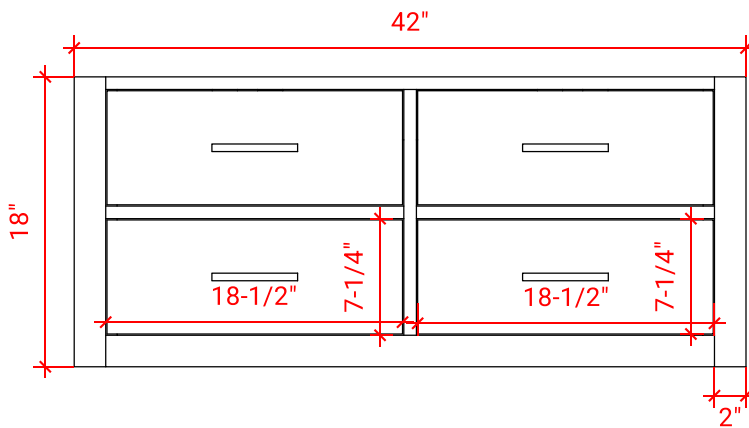
Satin Nickel Satin Brass Satin Black

## AVAILABLE COLORS

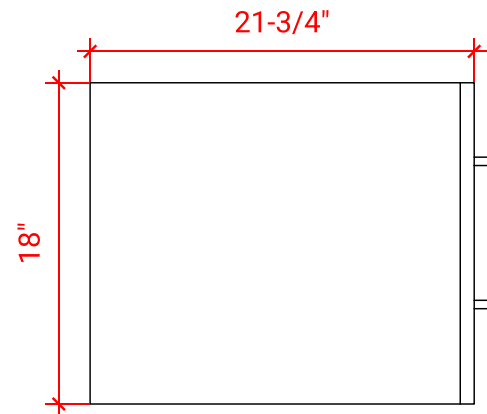


White Grey Black

FRONT VIEW



SIDE VIEW



PLAN VIEW

