

HUTTON 55" CENTER SINK CABINET

ARIEL

W055S



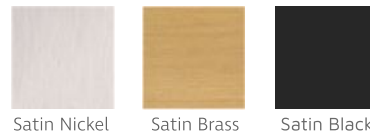
BASE CABINET DIMENSIONS

54" W x 21.75" D x 18" H

FEATURES

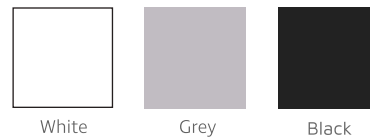
- Solid wood frame & plywood panels
- Dovetail drawers and joints
- Soft closing doors & drawers

HARDWARE FINISHES



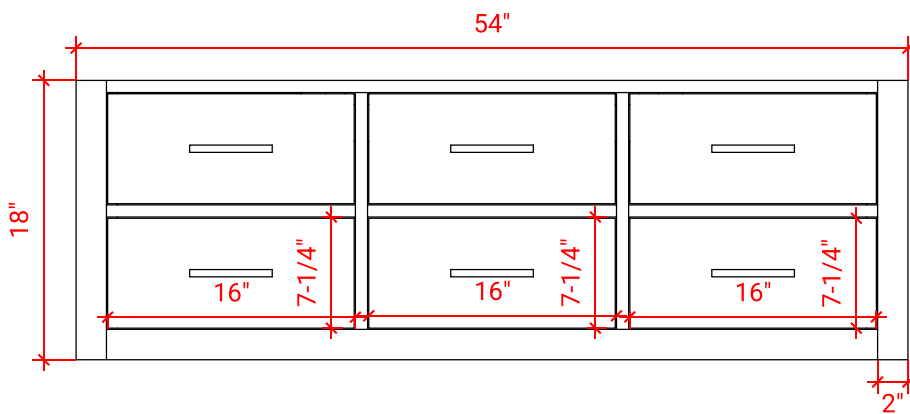
Satin Nickel Satin Brass Satin Black

AVAILABLE COLORS

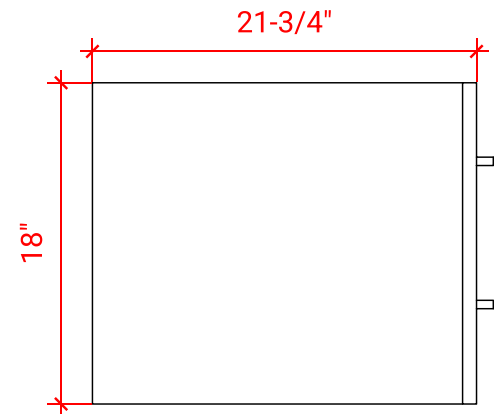


White Grey Black

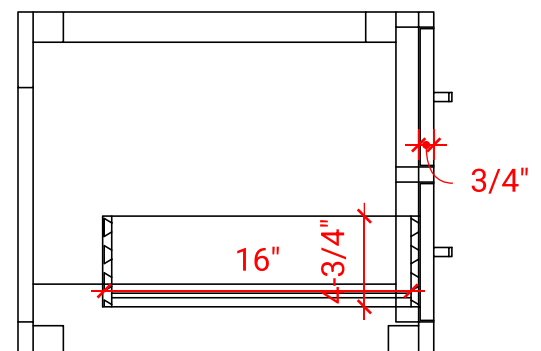
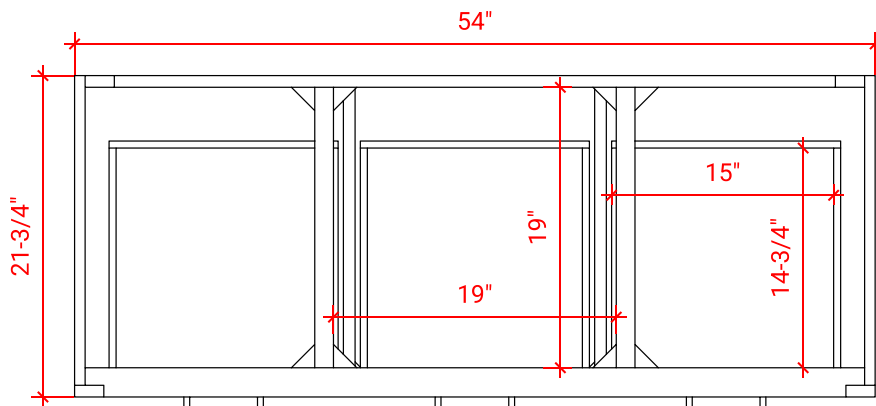
FRONT VIEW



SIDE VIEW



PLAN VIEW



55" RECTANGLE SINK THIN COUNTERTOP



OVERALL DIMENSIONS

55" W x 22" D x 1.5" H

COUNTERTOP OPTIONS



Carrara Marble
CW-055S-REC-CT



White Quartz
WQ-055S-REC-CT

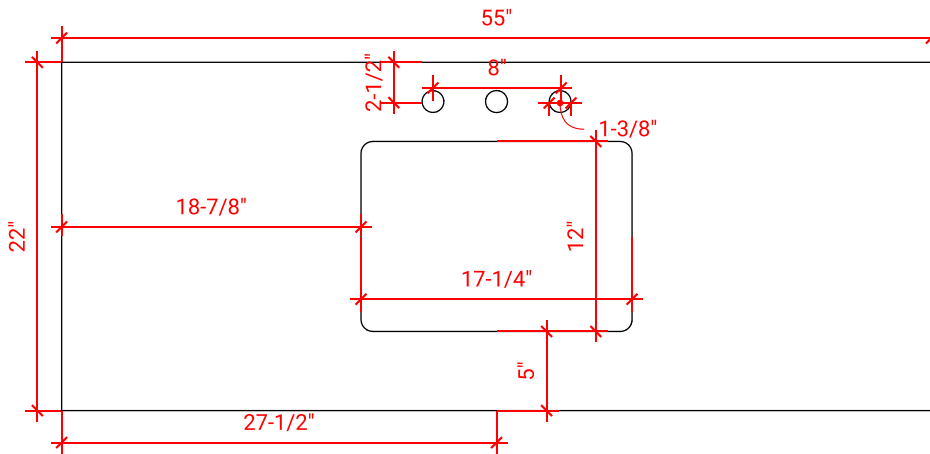
FEATURES

- Solid countertop with mitered edges & seams
- Undermount white rectangular sink
- Pre-drilled for 8" widespread faucet

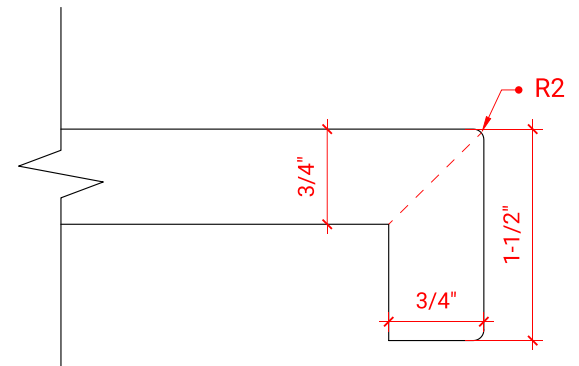
INCLUDED

- Countertop
- Matching Backsplash
- Sink

COUNTERTOP PLAN VIEW



EDGE SIDE VIEW



THREE DIMENSIONAL COUNTERTOP VIEW

