

# HUTTON 55" CENTER SINK CABINET

# ARIEL

W055S



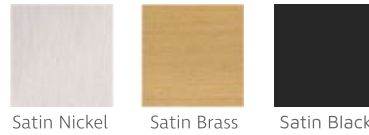
## BASE CABINET DIMENSIONS

54" W x 21.75" D x 18" H

## FEATURES

- Solid wood frame & plywood panels
- Dovetail drawers and joints
- Soft closing doors & drawers

## HARDWARE FINISHES



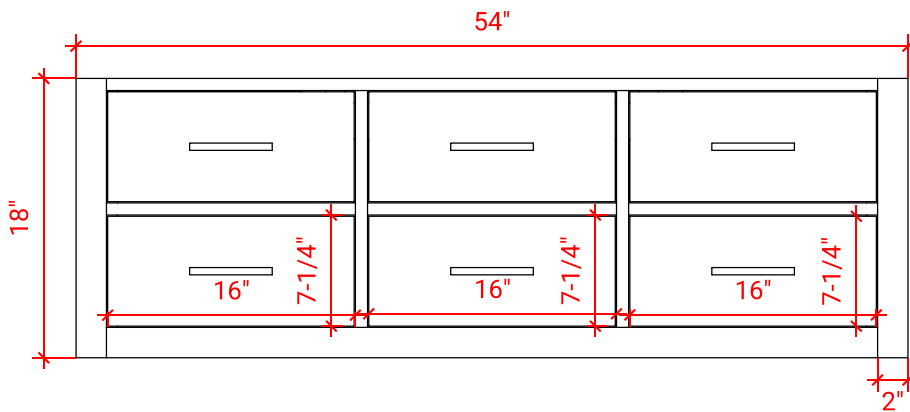
Satin Nickel Satin Brass Satin Black

## AVAILABLE COLORS

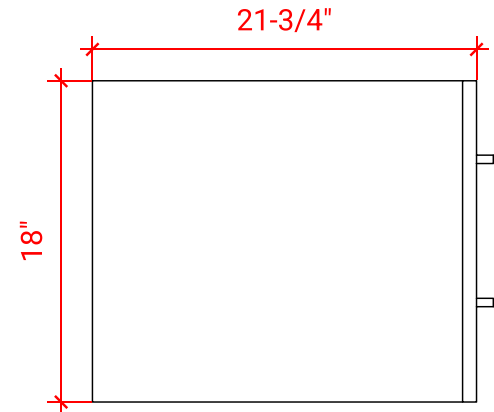


White Grey Black

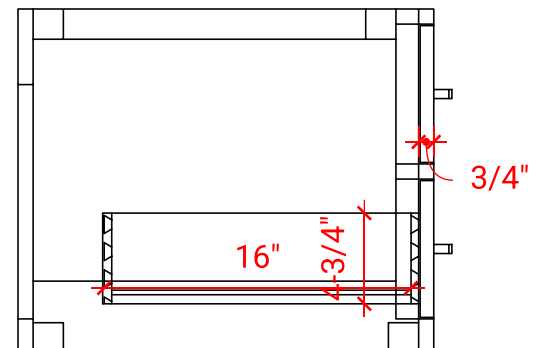
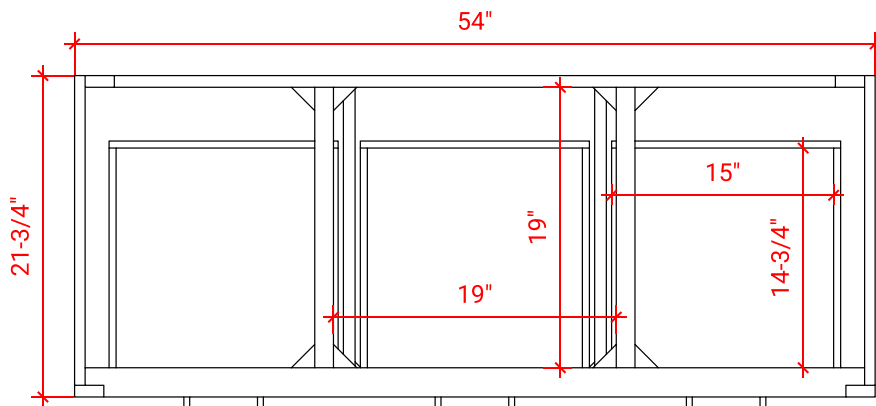
FRONT VIEW



SIDE VIEW



PLAN VIEW



# 55" OVAL SINK THIN COUNTERTOP



## OVERALL DIMENSIONS

55" W x 22" D x 1.5" H

## COUNTERTOP OPTIONS



Carrara Marble  
CW-055S-OVL-CT



White Quartz  
WQ-055S-OVL-CT

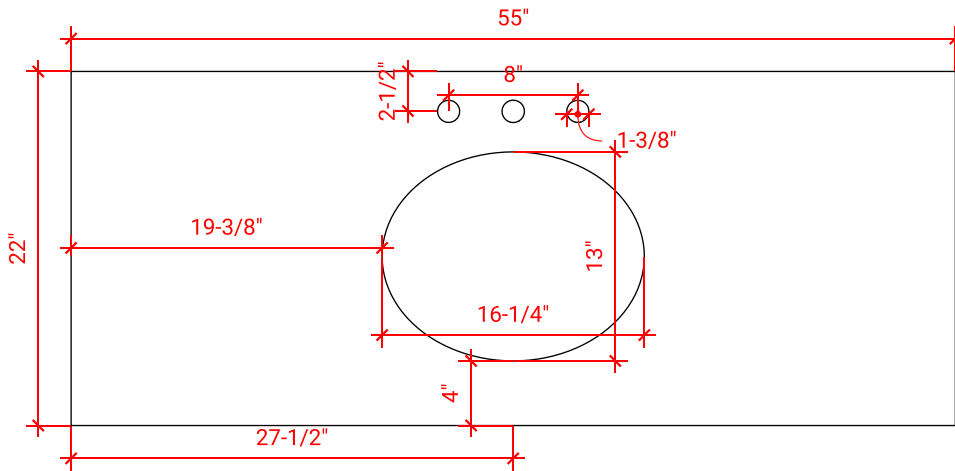
## FEATURES

- Solid countertop with mitered edges & seams
- Undermount white oval sink
- Pre-drilled for 8" widespread faucet

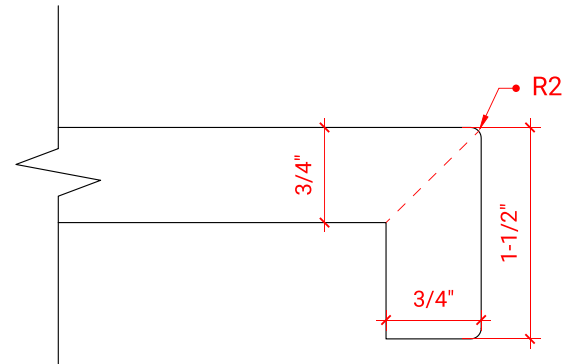
## INCLUDED

- Countertop
- Matching Backsplash
- Sink

## COUNTERTOP PLAN VIEW



## EDGE SIDE VIEW



## THREE DIMENSIONAL COUNTERTOP VIEW

